



2023 SPEC SHEET

# Forest River Berkshire

Floor plans: 40F

## 5-STAR FEATURES



24/7 factory-direct phone support

### DRIVETECH

Wheel and column controls pair with OptiView to put every command in easy reach

All-new ergonomic steering wheel

Prioritizes driver safety

### V-RIDE

Increased towing capacity

Superior roll stability & handling

Greater durability & longevity

### ENGINE

<b>Make</b>	Cummins B6.7
<b>Horsepower</b>	360 HP @ 2,600 rpm
<b>Torque</b>	800 lb-ft
<b>Brake</b>	VGT (Variable Geometry Turbocharger) Brake (single stage)

### WEIGHT RATINGS

<b>Front GAWR</b>	14,320 lbs
<b>Rear GAWR</b>	23,000 lbs
<b>Tag GAWR</b>	N/A
<b>Total GVWR</b>	37,320 lbs
<b>Total GCWR</b>	48,320 lbs

### TRANSMISSION

<b>Type</b>	Automatic
<b>Gears</b>	Allison 3000 6-speed

### FUEL

<b>Type</b>	Diesel
<b>Fuel Tank</b>	100 Gallon
<b>Def Tank</b>	13 Gallon

### SUSPENSION

<b>Front</b>	Neway AS140
<b>Wheel Cut</b>	55 Degree front wheel
<b>Rear</b>	FCCC V-Ride

### SHOCKS

<b>Make</b>	Sachs custom tuned
-------------	--------------------

### AXLES

<b>Front</b>	Detroit DA-F-14.7-3
<b>Rear</b>	Detroit DA-RS-23.0-4

### BRAKES

<b>Front</b>	Bendix Air Disc Brakes with ABS
<b>Rear</b>	Meritor Air Drum Cam Brakes with ABS

### COOLING

<b>Radiator</b>	1,335 sq. in., Rear mounted
-----------------	-----------------------------

### RAILS

<b>Front</b>	9.0" x 2.75" x 0.25"
<b>Upper</b>	9.0" x 2.75" x 0.25"
<b>Rear</b>	9.0" x 2.75" x 0.25"

### FRAME

<b>Construction</b>	Raised Rail Chassis with Formed Rail for Lowered Engine
<b>Wheel Base</b>	266"

### HITCH

<b>Rating</b>	10,000 lbs
---------------	------------

### TIRES

<b>Make</b>	Michelin X Line Energy Z
<b>Front Size</b>	275/80R 22.5 16-ply
<b>Rear Size</b>	275/80R 22.5 16-ply
<b>Wheels</b>	8.25" Aluminum

### ELECTRICAL

<b>Alternator</b>	160 Amp Delco Remy
<b>Battery</b>	(2) 1,900 CCA @ 0 degrees F

### CONTROLS

<b>Steering Column</b>	ZF Tilt/Telescoping with Foot Pedal
<b>Steering Wheel</b>	DriveTech Steering Wheel w/ Optiview Controls
<b>Instruments</b>	OptiView LCD display, Daytime Running Lights, Non-Adjustable Suspended Brake and Accelerator Pedals

### WARRANTY

<b>Basic Chassis / Drivetrain</b>	5 years, 100,000 mi
<b>Engine</b>	5 years, 100,000 mi
<b>Transmission</b>	5 years, 200,000 mi
<b>Battery</b>	1 year, 100,000 mi
<b>Corrosion / Brightwork</b>	6 months unlimited
<b>Frame Rails / Cross Member</b>	5 years, 100,000 mi

# Forest River Berkshire

Floor plans: 40F

## 5-STAR FEATURES



### SERVICE

The RV industry's most comprehensive service and support coverage with **450+ Freightliner service locations, 90+ Oasis RV Specialist locations and 24/7 Factory-Direct support for the life of the coach.**

24/7 factory-direct service — talk directly with factory service advisors who average 18 years of experience.



Nationwide parts distribution centers (PDC Centers) provide expedited parts delivery through centralized Freightliner parts database.



- 24/7 Direct: free mobile app for one click, on-the-go support is available on Apple and Android — search "Freightliner 24/7"
- Call or email FCCC technicians 24/7, locate servicing dealers, and provide feedback on service experience
- Allows maintenance logs to be stored in the cloud and shared across devices
- Provides access to service checklist, owner and maintenance manuals, dash light descriptions, FAQs and more

### DRIVETECH

DriveTech rolls together FCCC's latest innovations — like the OptiView all-digital LCD dash display, RoadWatch state-of-the-art safety systems, and FCCC's all-new ergonomic steering wheel and column-mounted controls — into one comfortable, easy-to-use drive console.



# Forest River Berkshire

Floor plans: 40F

## 5-STAR FEATURES



### OPTIVIEW™

Influenced by Mercedes-Benz®, OptiView™ is the first LCD instrument cluster in the RV industry, featuring:

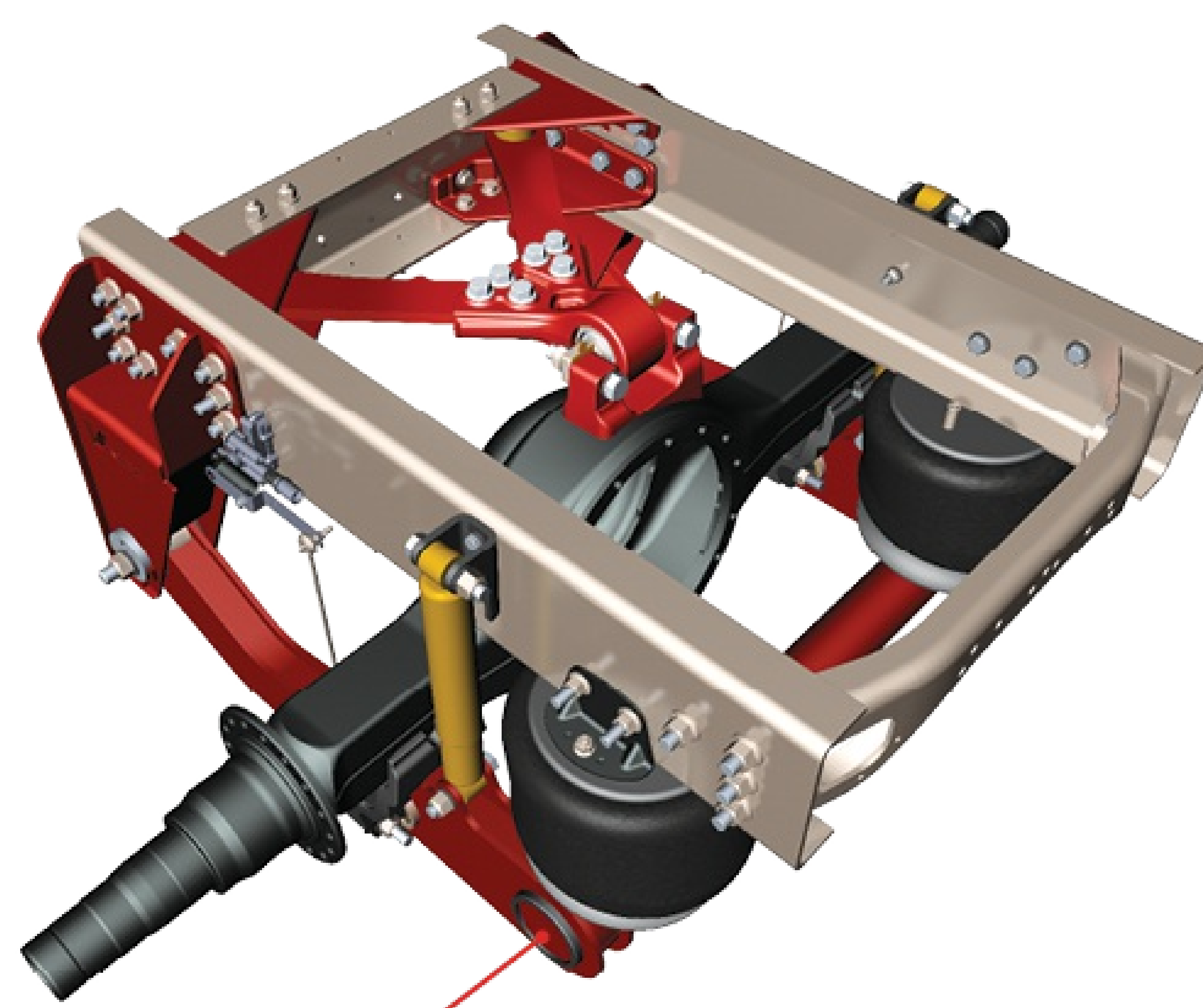
- **Improved interface and steering wheel controls** with anti-glare display, bright graphics, colors, and menus
- **Bluetooth® connectivity** capability



### V-RIDE

**Exclusive rear suspension system rated up to 24,000 lbs. for best-in-class cargo capacity, roll stability and overall handling.**

- **More towing capacity** and consistent handling
- V-rod connection dissipates suspension forces — **reducing stress for greater durability and longevity**
- Transverse beam integrated with the trailing arm form a single-piece U-shaped assembly — **enhancing stability at all speeds while adding durability and reducing maintenance**



INTEGRATED TRANSVERSE BEAM

# Forest River Berkshire

Floor plans: 40F

## 5-STAR FEATURES



### EXPERIENCE OF OWNERSHIP

#### FREIGHTLINER CHASSIS OWNERS CLUB (FCOC):

- **10,000+ Members**
- **Parts and labor discounts** at select Freightliner service locations
- **Nationwide rallies and events** offer excursions to great destinations
- FCOC's comprehensive communications keep owners informed — Quarterly RV Soul magazine published 4x per year
- Members can **purchase Dodge, Chrysler or Jeep at 1% below dealer cost**



#### OWNER TRAINING

- **30+ Camp Freightliner I classes** at FCCC factory or on-site at rallies every year — comprehensive 2-day training with one-on-one coaching; costs **less than \$300**
- Camp Freightliner II classes at FCCC factory — **pairs owners with a service technician** in the service bay to observe service techniques and ask questions about their chassis
- Fireside Chat seminars — abbreviated training offered at all major rallies and shows

