



2024 SPEC SHEET

# Newmar Dutch Star Tag

Floor plans: 4310, 4311, 4325, 4326, 4369, 4370

## 5-STAR FEATURES



24/7 factory-direct phone support



ZF Independent Front Suspension with up to 60-Degree Wheel Cut: the tightest turning radius in the industry



Factory-installed, factory-warranted integrated air supply for your tow vehicle brake system



Wheel and column controls pair with OptiView to put every command in easy reach

All-new ergonomic steering wheel  
Prioritizes driver safety



Suite of state-of-the-art safety systems for driver confidence in all conditions and maneuvers



Reduced curb-to-curb turning radius  
Eliminates costly tire scrub

Fully integrated & precision tuned to coach model & floorplan



Increased towing capacity  
Superior roll stability & handling  
Greater durability & longevity

### ENGINE

<b>Make</b>	Cummins L9
<b>Horsepower</b>	450 HP @ 2,100 rpm
<b>Torque</b>	1,250 lb-ft
<b>Brake</b>	Engine Compression Brake (three stage)

### WEIGHT RATINGS

<b>Front GAWR</b>	19,000 lbs
<b>Rear GAWR</b>	20,000 lbs
<b>Tag GAWR</b>	12,000 lbs
<b>Total GVWR</b>	51,000 lbs
<b>Total GCWR</b>	66,000 lbs

### TRANSMISSION

<b>Type</b>	Automatic
<b>Gears</b>	Allison 3000 6-speed

### FUEL

<b>Type</b>	Diesel
<b>Fuel Tank</b>	150 Gallon
<b>Def Tank</b>	15 Gallon

### SUSPENSION

<b>Front</b>	ZF IFS
<b>Wheel Cut</b>	52 Degree front wheel
<b>Rear</b>	V-Ride

### SHOCKS

<b>Make</b>	Sachs custom tuned
-------------	--------------------

### AXLES

<b>Front</b>	ZF
<b>Rear</b>	Detroit DA-RS-21.0-4
<b>Tag</b>	UltraSteer

### BRAKES

<b>Front</b>	Bendix Air Disc Brakes with ABS
<b>Rear</b>	Meritor Air Drum Brakes with ABS

### COOLING

<b>Radiator</b>	1,638 sq. in., Side mounted
-----------------	-----------------------------

### RAILS

<b>Front</b>	9.0" x 2.75" x 0.25"
<b>Upper</b>	9.0" x 2.75" x 0.25"
<b>Rear</b>	9.0" x 2.75" x 0.25"

### FRAME

<b>Construction</b>	Raised rail with lowered rear section
<b>Wheel Base</b>	288"

### HITCH

<b>Rating</b>	15,000 lbs
---------------	------------

### TIRES

<b>Make</b>	Michelin XZA (front)X Line Energy Z (rear)
<b>Front Size</b>	365/70R 22.5 20-ply
<b>Rear Size</b>	315/80R 22.5 20-ply
<b>Tag Size</b>	315/80R 22.5 20-ply
<b>Wheels</b>	10.5 front/9 rear" Aluminum

### ELECTRICAL

<b>Alternator</b>	240 Amp Leece-Neville
<b>Battery</b>	(2) 1,900 CCA @ 0 degrees F

### CONTROLS

<b>Steering Column</b>	Column Drive with Tilt/Telescopic
<b>Steering Wheel</b>	DriveTech steering wheel w/ dash controls
<b>Instruments</b>	OptiView LCD display w/ Roadwatch/TPMS
<b>Safety</b>	RoadWatch featuring Collision Mitigation (forward warning and active braking), Adaptive Cruise Control (ACC), Electronic Stability Control (ESC) with Roll Stability Support (RSS), Automatic Traction Control (ATC), Mobileye Sensor Detection

### WARRANTY

<b>Basic Chassis / Drivetrain</b>	5 years, 100,000 mi
<b>Engine</b>	5 years, 100,000 mi
<b>Transmission</b>	5 years, 200,000 mi
<b>Battery</b>	1 year, 100,000 mi
<b>Corrosion / Brightwork</b>	6 months unlimited
<b>Frame Rails / Cross Member</b>	5 years, 100,000 mi

# Newmar Dutch Star Tag

Floor plans: 4310, 4311, 4325, 4326, 4369, 4370

## 5-STAR FEATURES



### SERVICE

The RV industry's most comprehensive service and support coverage with **450+ Freightliner service locations, 90+ Oasis RV Specialist locations and 24/7 Factory-Direct support for the life of the coach.**

24/7 factory-direct service — talk directly with factory service advisors who average 18 years of experience.



Nationwide parts distribution centers (PDC Centers) provide expedited parts delivery through centralized Freightliner parts database.

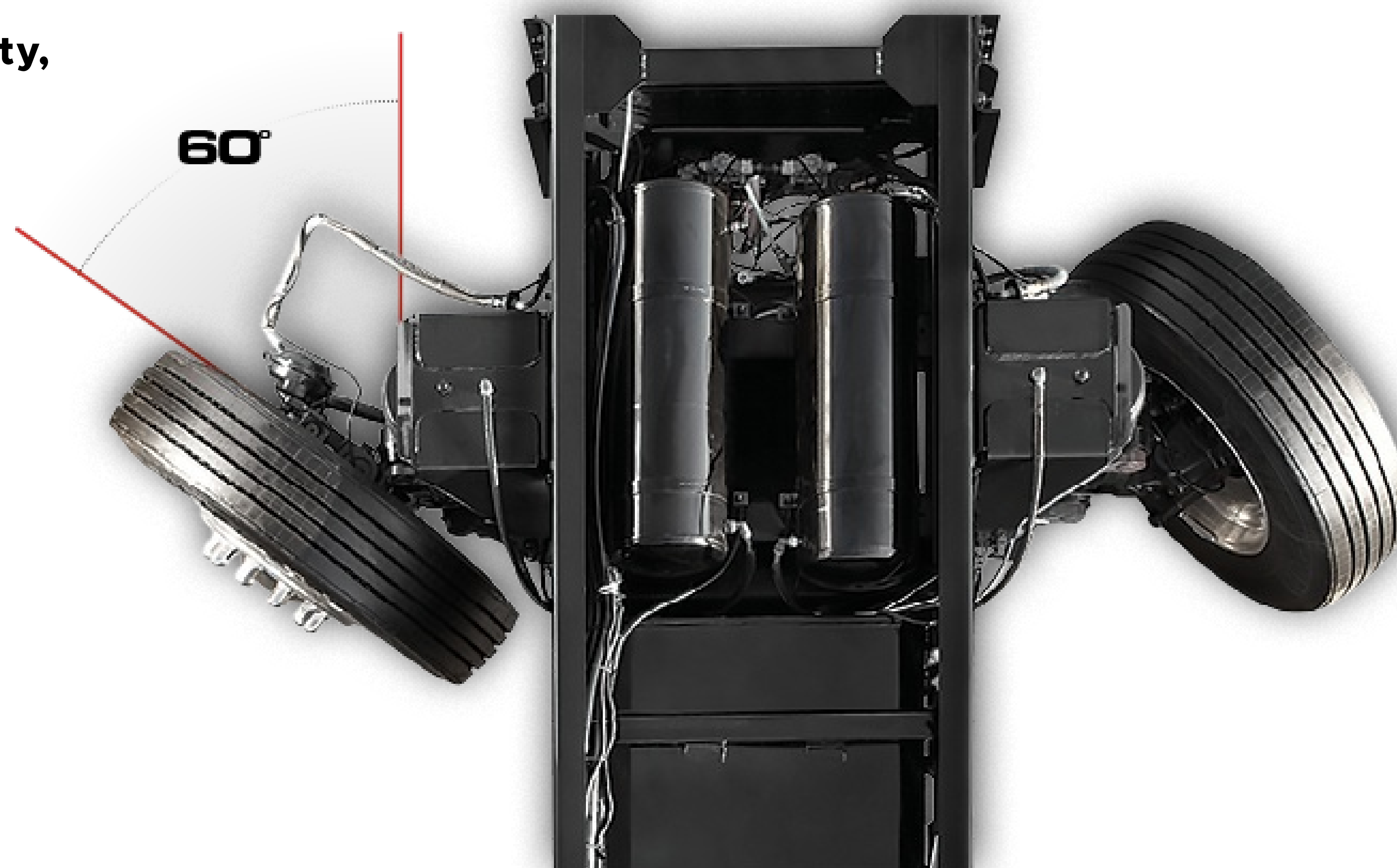


- 24/7 Direct: free mobile app for one click, on-the-go support is available on Apple and Android — search "Freightliner 24/7"
- Call or email FCCC technicians 24/7, locate servicing dealers, and provide feedback on service experience
- Allows maintenance logs to be stored in the cloud and shared across devices
- Provides access to service checklist, owner and maintenance manuals, dash light descriptions, FAQs and more



With **automotive-like feel and maneuverability**, the ZF™ Independent Front Suspension delivers the tightest turns in the industry.

- Up to 60-degree wheel cut offers **superior maneuverability and turning radius**
- Double-wishbone design offers **smooth ride and redefined handling**
- **Excellent center feel** and steering response
- Front air-disc brakes with **ABS help maintain control** and significantly **decrease stopping distance**



# Newmar Dutch Star Tag

Floor plans: 4310, 4311, 4325, 4326, 4369, 4370

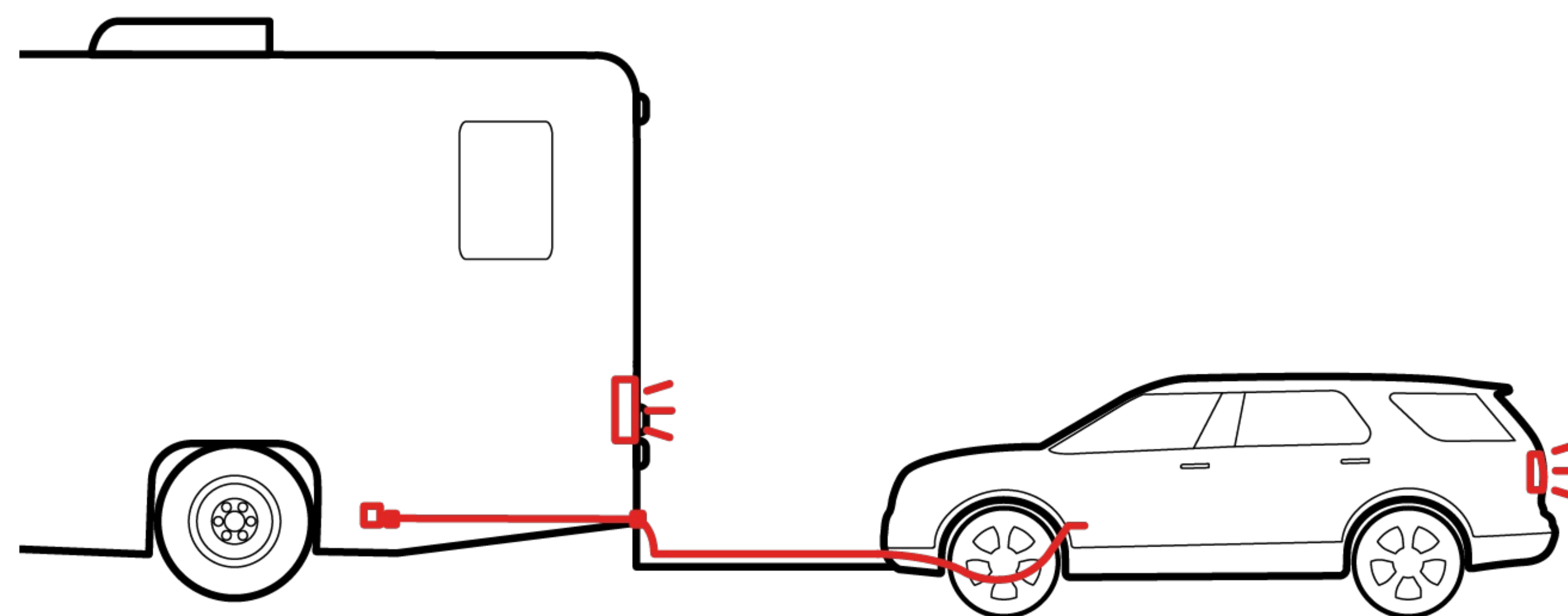
## 5-STAR FEATURES



### BRAKE SYNC

**Designed by the Freightliner Custom Chassis engineering team, BrakeSync is the only factory-installed, factory-warranted integrated air supply for your tow vehicle's supplemental brake system.**

- Includes automotive-style mounting and quick disconnect air chuck
- Plumbing ensures air pressure to supplemental brake system in the event of air source failure
- Easily visible low air warnings through direct connection to DriveTech via OptiView
- Adaptable to most tow vehicle hardware using air



### DRIVETECH

DriveTech rolls together FCCC's latest innovations — like the OptiView all-digital LCD dash display, RoadWatch state-of-the-art safety systems, and FCCC's all-new ergonomic steering wheel and column-mounted controls — into one comfortable, easy-to-use drive console.



# Newmar Dutch Star Tag

Floor plans: 4310, 4311, 4325, 4326, 4369, 4370

## 5-STAR FEATURES



### OPTIVIEW™

Influenced by Mercedes-Benz®, OptiView® is the first LCD instrument cluster in the RV industry, featuring:

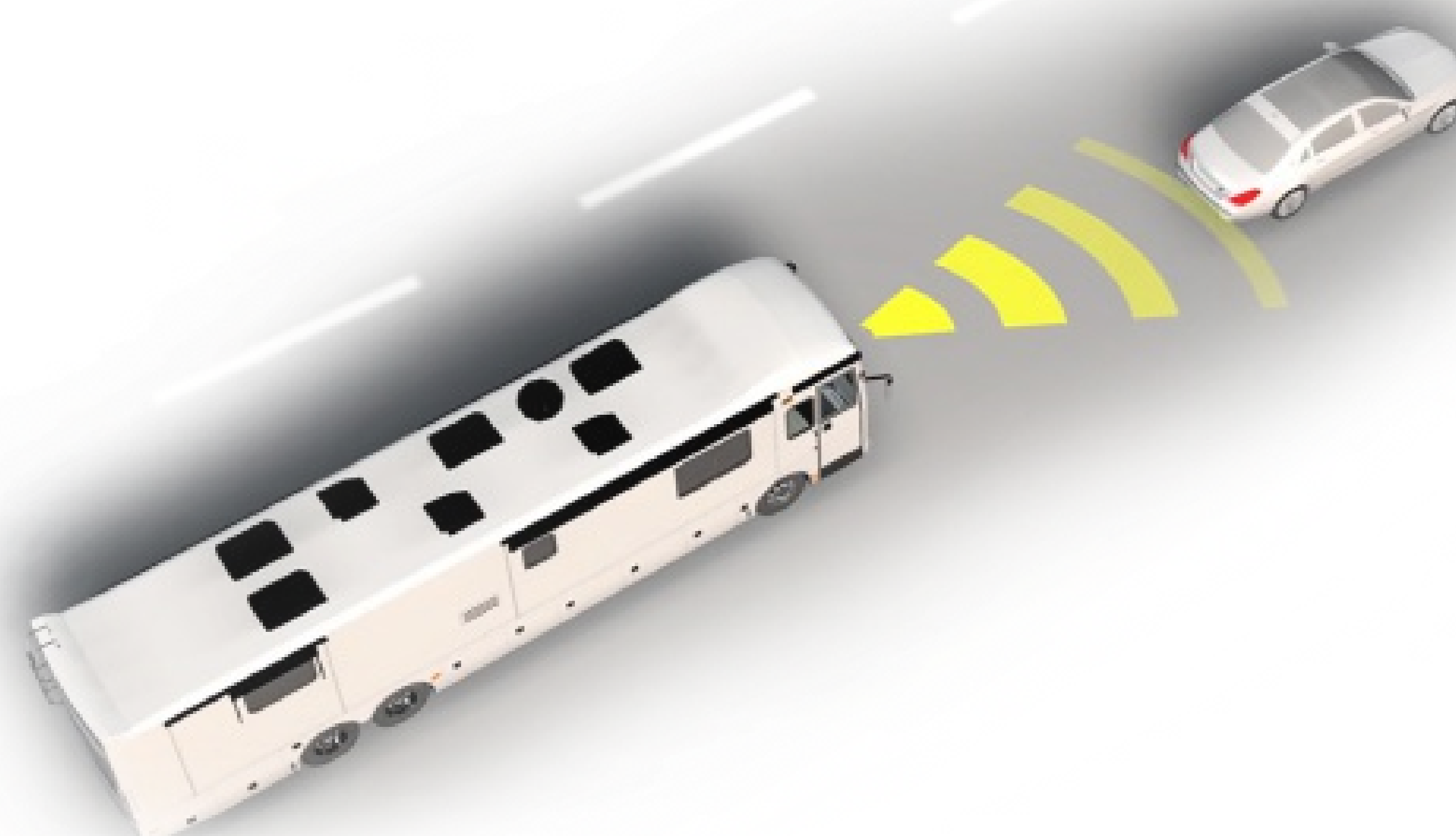
- **Improved interface and steering wheel controls** with anti-glare display, bright graphics, colors, and menus
- **Bluetooth® connectivity** capability



### ROADWATCH

RoadWatch is the ultimate RV Safety System, assisting the driver with control of the coach in all road conditions and maneuvers. Reference your spec sheet to find which of the following features are included on your coach.

- Collision Mitigation (forward warning and active braking)
- Adaptive Cruise Control (ACC)
- Electronic Stability Control (ESC) with Roll Stability Control (RSC)
- Automatic Traction Control (ATC)
- Mobileye Sensor Detection



# Newmar Dutch Star Tag

Floor plans: 4310, 4311, 4325, 4326, 4369, 4370

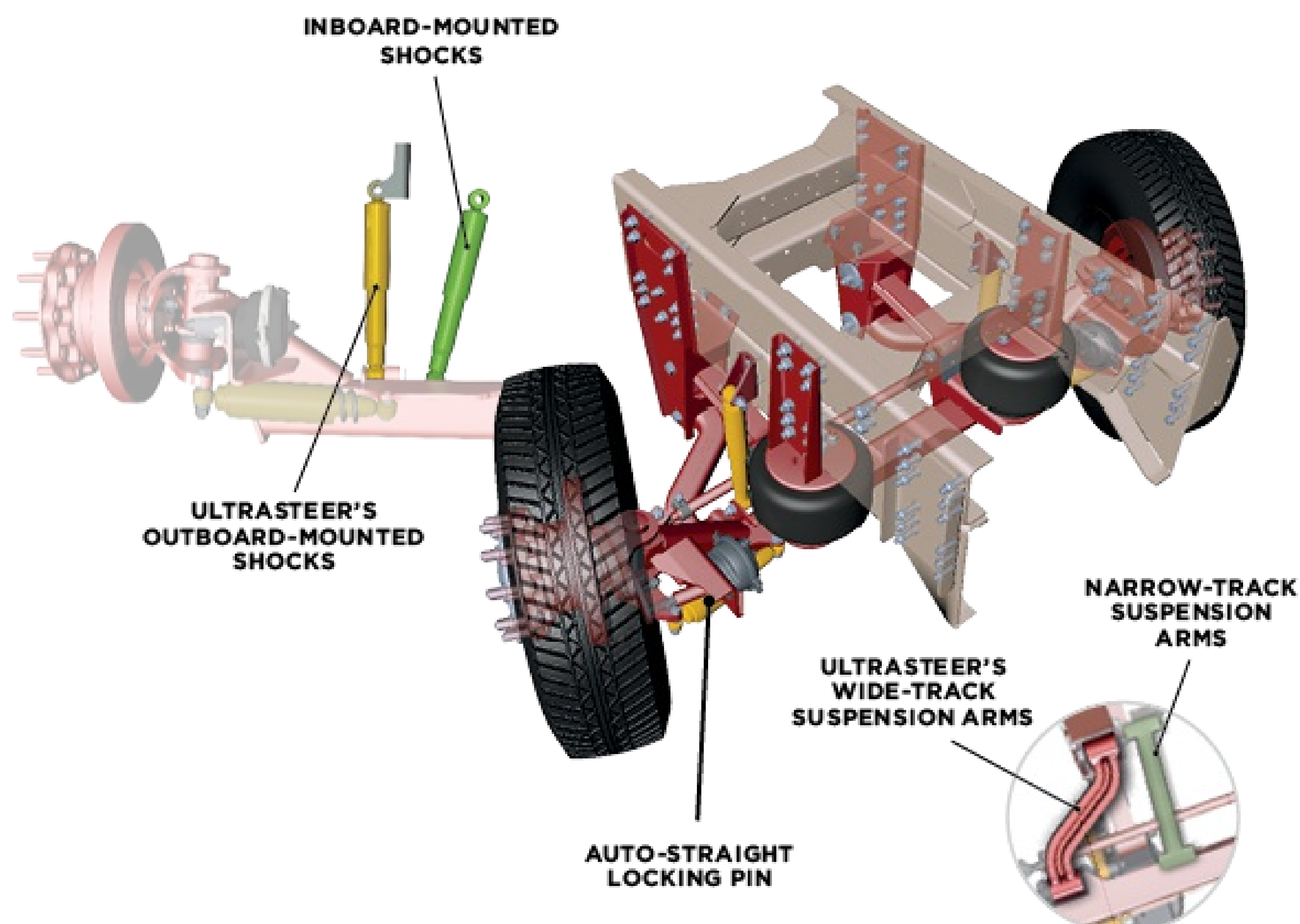
## 5-STAR FEATURES



### ULTRASTEER

**Precision-tuned tag axles follow the ideal turning path, eliminating tire scrub and reducing curb-to-curb turning radius by 17%;**

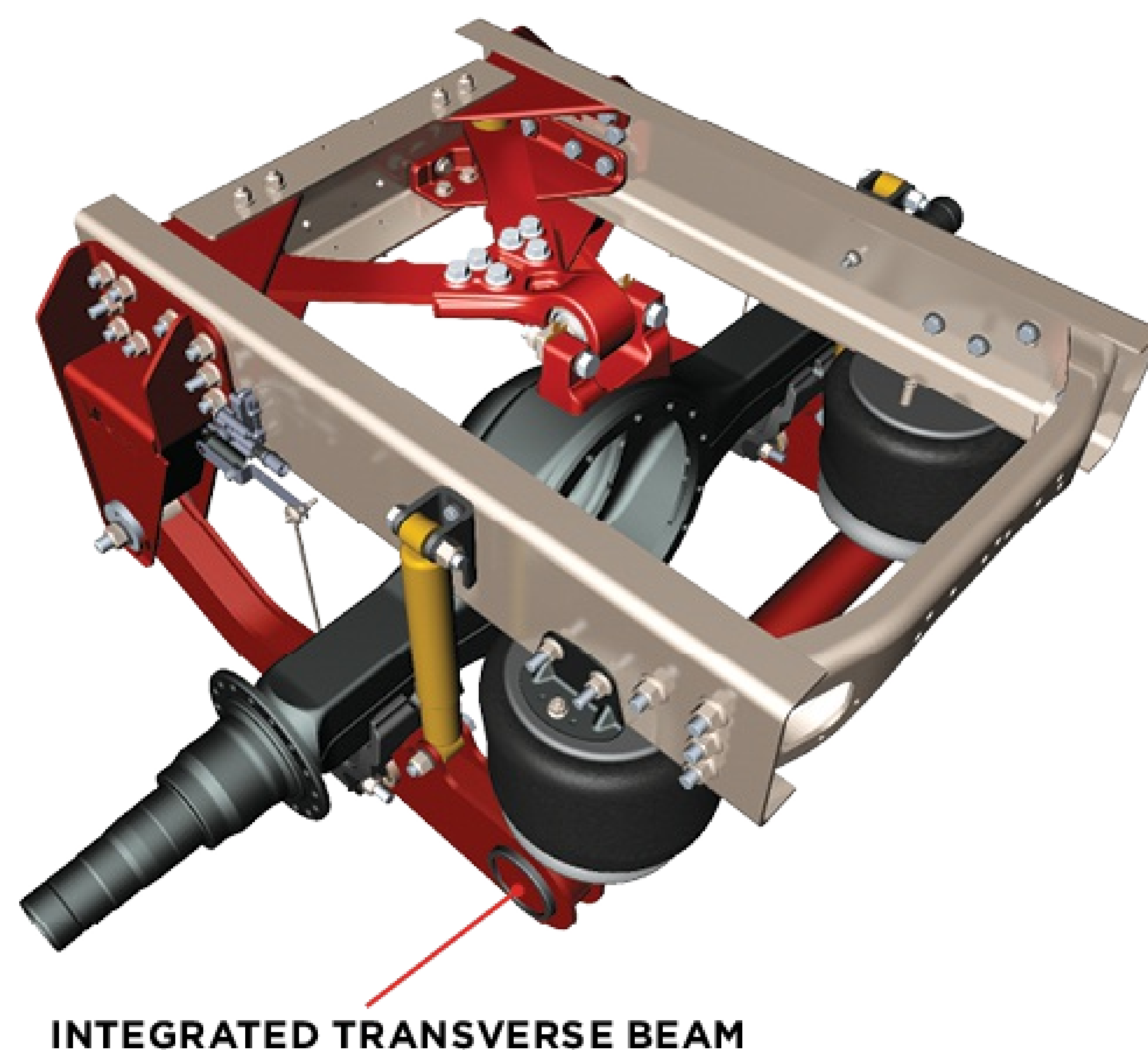
- 12-degree wheel cut allows tag axle to follow the ideal turning path of the coach — **20% tighter turning angle than the nearest competitor**
- Outboard-mounted shocks offer **best-in-class roll stability, greatly enhancing ride and handling**
- Wide track suspension arms (B-Series) provide increased lateral stiffness for **improved handling in sudden maneuvers**
- Auto-locks at 20mph and in reverse; locking-pin utilizes air chamber and dedicated plate for **increased safety**



### V RIDE

**Exclusive rear suspension system rated up to 24,000 lbs. for best-in-class cargo capacity, roll stability and overall handling.**

- **More towing capacity** and consistent handling
- V-rod connection dissipates suspension forces — **reducing stress for greater durability and longevity**
- Transverse beam integrated with the trailing arm form a single-piece U-shaped assembly — **enhancing stability at all speeds while adding durability and reducing maintenance**



# Newmar Dutch Star Tag

Floor plans: 4310, 4311, 4325, 4326, 4369, 4370

## 5-STAR FEATURES



### EXPERIENCE OF OWNERSHIP

#### FREIGHTLINER CHASSIS OWNERS CLUB (FCOC):

- **10,000+ Members**
- **Parts and labor discounts** at select Freightliner service locations
- **Nationwide rallies and events** offer excursions to great destinations
- FCOC's comprehensive communications keep owners informed
  - Quarterly RV Soul magazine published 4x per year
- Members can **purchase Dodge, Chrysler or Jeep at 1% below dealer cost**



#### OWNER TRAINING

- **30+ Camp Freightliner I classes** at FCCC factory or on-site at rallies every year — comprehensive 2-day training with one-on-one coaching; costs **less than \$300**
- Camp Freightliner II classes at FCCC factory— **pairs owners with a service technician** in the service bay to observe service techniques and ask questions about their chassis
- Fireside Chat seminars — abbreviated training offered at all major rallies and shows

