

Tiffin Phaeton

Floor plans: 44OH

5-STAR FEATURES



24/7 factory-direct phone support



ZF Independent Front Suspension with up to 60-Degree Wheel Cut: the tightest turning radius in the industry



Wheel and column controls pair with OptiView to put every command in easy reach

All-new ergonomic steering wheel
 Prioritizes driver safety



Suite of state-of-the-art safety systems for driver confidence in all conditions and maneuvers



Reduced curb-to-curb turning radius
 Eliminates costly tire scrub

Fully integrated & precision tuned to coach model & floorplan



Increased towing capacity
 Superior roll stability & handling
 Greater durability & longevity

ENGINE

Make	Cummins L9
Horsepower	450 HP @ 2,100 rpm
Torque	1,250 lb-ft
Brake	Engine Compression Brake (three stage)

WEIGHT RATINGS

Front GAWR	16,000 lbs
Rear GAWR	20,000 lbs
Tag GAWR	10,000 lbs
Total GVWR	46,000 lbs
Total GCWR	0

TRANSMISSION

Type	Automatic
Gears	Allison 3000 6-speed

FUEL

Type	Diesel
Fuel Tank	100 Gallon
Def Tank	13 Gallon

SUSPENSION

Front	ZF Independent IFS
Wheel Cut	60 Degree front wheel
Rear	FCCC V-Ride
Tag	FCCC UltraSteer

SHOCKS

Make	Sachs custom tuned
-------------	--------------------

AXLES

Front	ZF Independent
Rear	Detroit DA-RS-21.0-4
Tag	FCCC UltraSteer

BRAKES

Front	Bendix Air Disc Brakes with ABS
Rear	Bendix Drum Brakes with ABS

COOLING

Radiator	1,335 sq. in., Rear mounted
-----------------	-----------------------------

RAILS

Front	9.0" x 2.75" x 0.25"
Rear	14.0" x 2.75" x 0.25"

FRAME

Construction	Raised Rail Chassis with Formed Rail for Lowered Engine
Wheel Base	286"

HITCH

Rating	Supplied by OEM
---------------	-----------------

TIRES

Make	Michelin X Coach Z
Front Size	295/80R 22.5 16-ply
Rear Size	295/80R 22.5 16-ply
Tag Size	295/80R 22.5 16-ply
Wheels	8.25" Aluminum Tire Pressure Monitoring System

ELECTRICAL

Alternator	160 Amp Leece-Neville
Battery	(2) 1,900 CCA @ 0 degrees F

CONTROLS

Steering Column	ZF Tilt/Telescoping with Foot Pedal
Steering Wheel	DriveTech leather steering wheel w/ OptiView Controls
Instruments	OptiView LCD display, Daytime Running Lights, Auto Headlamps, Adjustable Suspended Brake and Accelerator Pedals
Safety	RoadWatch featuring Collision Mitigation (forward warning and active braking), Adaptive Cruise Control (ACC), Electronic Stability Control (ESC) with Roll Stability Support (RSS), Automatic Traction Control (ATC)

WARRANTY

Basic Chassis / Drivetrain	5 years, 100,000 mi
Engine	5 Years / 100,000 mi.
Transmission	5 years, 200,000 mi
Battery	1 year, 100,000 mi
Corrosion / Brightwork	6 months unlimited
Frame Rails / Cross Member	5 years, 100,000 mi

Tiffin Phaeton

Floor plans: 44OH

5-STAR FEATURES



SERVICE

The RV industry's most comprehensive service and support coverage with **450+ Freightliner service locations, 90+ Oasis RV Specialist locations and 24/7 Factory-Direct support for the life of the coach.**

24/7 factory-direct service — talk directly with factory service advisors who average 18 years of experience.



Nationwide parts distribution centers (PDC Centers) provide expedited parts delivery through centralized Freightliner parts database.

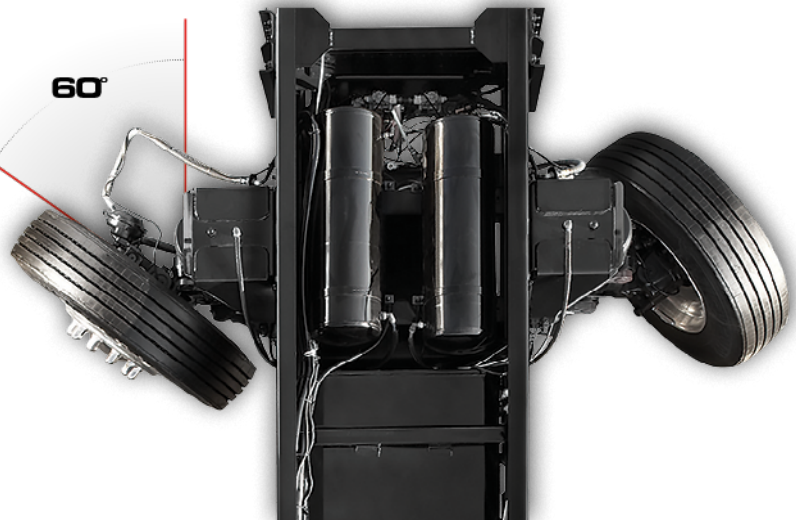


- 24/7 Direct® free mobile app for one click, on-the-go support is available on Apple and Android — search "Freightliner 24/7"
- Call or email FCCC technicians 24/7, locate servicing dealers, and provide feedback on service experience
- Allows maintenance logs to be stored in the cloud and shared across devices
- Provides access to service checklist, owner and maintenance manuals, dash light descriptions, FAQs and more



With **automotive-like feel and maneuverability, the ZF™ Independent Front Suspension** delivers the tightest turns in the industry.

- Up to 60-degree wheel cut offers **superior maneuverability and turning radius**
- Double-wishbone design offers **smooth ride and redefined handling**
- **Excellent center feel** and steering response
- Front air-disc brakes with **ABS help maintain control** and significantly **decrease stopping distance**



Tiffin Phaeton

Floor plans: 440H

5-STAR FEATURES



DRIVETECH

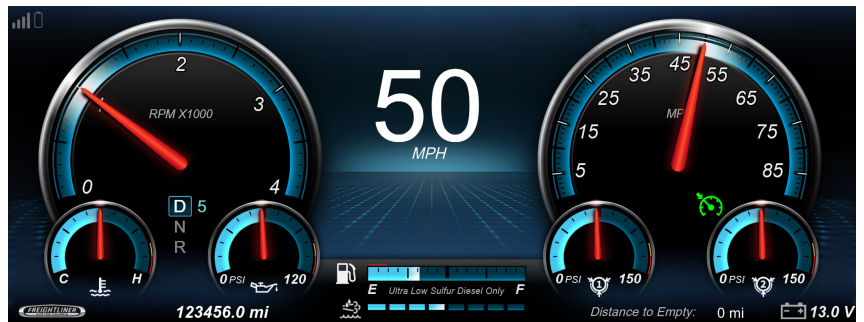
DriveTech rolls together FCCC's latest innovations — like the OptiView all-digital LCD dash display, RoadWatch state-of-the-art safety systems, and FCCC's all-new ergonomic steering wheel and column-mounted controls — into one comfortable, easy-to-use drive console.



OPTIVIEW™

Influenced by Mercedes-Benz®, OptiView™ is the first LCD instrument cluster in the RV industry, featuring:

- **Improved interface and steering wheel controls** with anti-glare display, bright graphics, colors, and menus
- **Bluetooth® connectivity** capability



Tiffin Phaeton

Floor plans: 440H

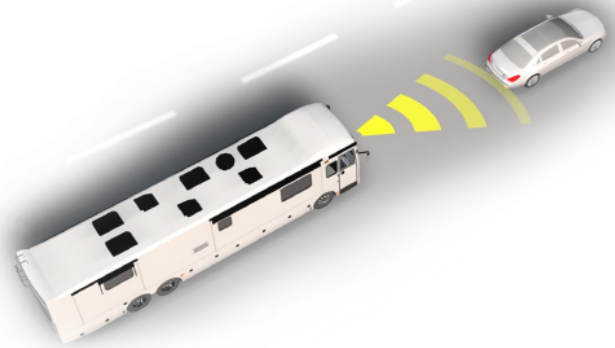
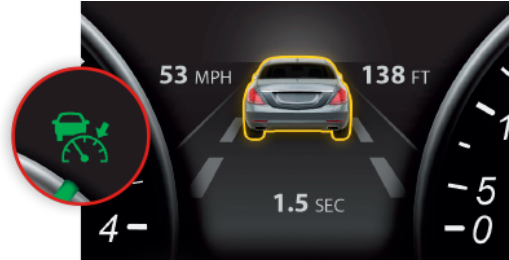
5-STAR FEATURES



ROADWATCH

RoadWatch is the ultimate RV Safety System, assisting the driver with control of the coach in all road conditions and maneuvers. Reference your spec sheet to find which of the following features are included on your coach.

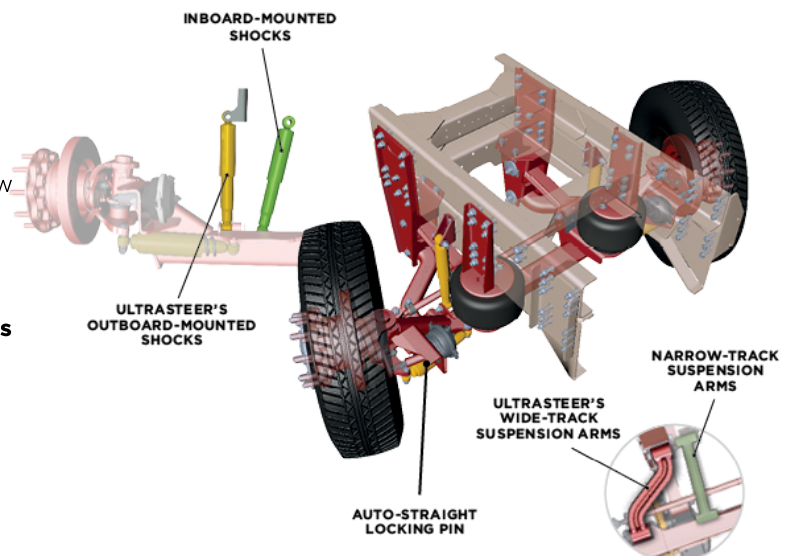
- Collision Mitigation (forward warning and active braking)
- Adaptive Cruise Control (ACC)
- Electronic Stability Control (ESC) with Roll Stability Control (RSC)
- Automatic Traction Control (ATC)
- Mobileye Sensor Detection



ULTRASTEER

Precision-tuned tag axles follow the ideal turning path, eliminating tire scrub and reducing curb-to-curb turning radius by 17%;

- 12-degree wheel cut allows tag axle to follow the ideal turning path of the coach — **20% tighter turning angle than the nearest competitor**
- Outboard-mounted shocks offer **best-in-class roll stability, greatly enhancing ride and handling**
- Wide track suspension arms (B-Series) provide increased lateral stiffness for **improved handling in sudden maneuvers**
- Auto-locks at 20mph and in reverse; locking-pin utilizes air chamber and dedicated plate for **increased safety**



Tiffin Phaeton

Floor plans: 440H

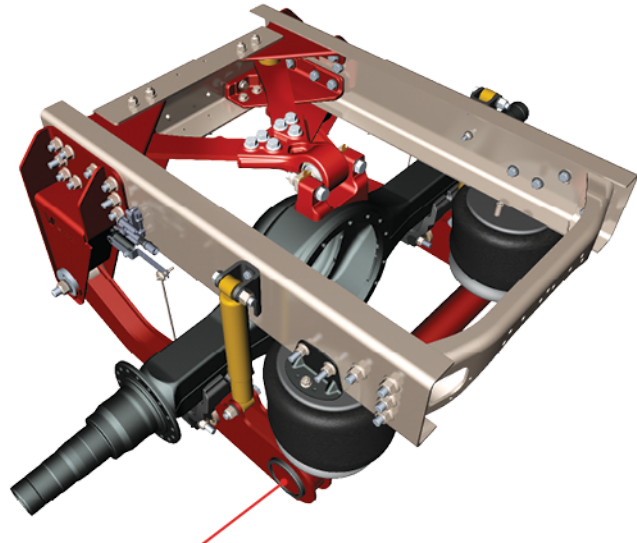
5-STAR FEATURES



V RIDE

Exclusive rear suspension system rated up to 24,000 lbs. for best-in-class cargo capacity, roll stability and overall handling.

- **More towing capacity** and consistent handling
- V-rod connection dissipates suspension forces — **reducing stress for greater durability and longevity**
- Transverse beam integrated with the trailing arm form a single-piece U-shaped assembly — **enhancing stability at all speeds while adding durability and reducing maintenance**



INTEGRATED TRANSVERSE BEAM

EXPERIENCE OF OWNERSHIP

FREIGHTLINER CHASSIS OWNERS CLUB (FCOC):

- **10,000+ Members**
- **Parts and labor discounts** at select Freightliner service locations
- **Nationwide rallies and events** offer excursions to great destinations
- FCOC's comprehensive communications keep owners informed — Quarterly *RV Soul* magazine published 4x per year
- Members can **purchase Dodge, Chrysler or Jeep at 1% below dealer cost**



OWNER TRAINING

- **30+ Camp Freightliner I classes** at FCCC factory or on-site at rallies every year — comprehensive 2-day training with one-on-one coaching
- Camp Freightliner II classes at FCCC factory — **pairs owners with a service technician** in the service bay to observe service techniques and ask questions about their chassis
- Fireside Chat seminars — abbreviated training offered at all major rallies and shows

